

SATURN™ Select OR Table

Ease of movement



Enhancing outcomes for patients and their caregivers:



Everyday work made easier: SATURN™ Select OR Table



SATURN™ Select OR Table 3.03 with FoamLine pads

Harness innovation – for patients and staff

Hospitals and clinics need to overcome major challenges. By investing in a flexible and innovative infrastructure, they can keep pace with medical developments and benefit from the latest insights. Hospitals that safeguard the health of their patients in the face of tight budgets and staff shortages are able to guarantee their continued success.

Trumpf Medical tasked itself with helping clinics master these challenges. The SATURN™ Select Mobile OR Table is proof that Trumpf Medical is up to the task: the options for use in every discipline and the high level of user comfort makes the SATURN™ Select OR Table a reliable product, providing efficient, convenient assistance to the OR personnel in their daily work.

Supporting excellent performance



Flexible, whatever the requirement

Truly versatile, the SATURN™ Select OR Table is suited to everyday surgical work.

- The tabletop design and **longitudinal slide** of 250 mm (9.8") provide ideal C-Arm access and optimally support intraoperative diagnoses.
- The SATURN™ Select OR Table is approved for **patients weighing** up to 225 kg* (500 lbs). A low-height version is available for laparoscopic surgery.
- Both **low-height and standard height versions** are available with the **additional function** "longitudinal adjustment" or "longitudinal adjustment and integrated body elevator".

Optimize and simplify work processes

The robust design of the SATURN™ Select OR Table makes it extremely easy to use.

- **Pneumatic spring support adjustments** to the back and leg sections enable the patient to be brought into the required position with minimal effort.
- The table column uses **electro-mechanical motors** that provide a high level of performance, precision, safety, and hygiene.
- **Large double-swivel castors** makes the SATURN™ Select OR Table extremely stable and enable it to be moved easily on soft or uneven floors.
- The SATURN™ Select OR Table can be operated intuitively using a **remote control**. The main table functions are also available from the **operating panel on the column**.

* Maximum loads may vary depending on the patient's position and OR table arrangement

Combining what matters most: SATURN™ Select OR Table

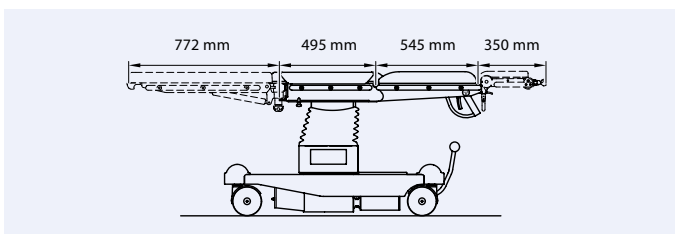


Pneumatic spring support for easy positioning

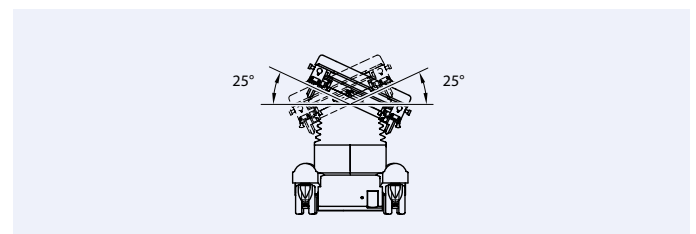
Reduced effort: the integrated pneumatic spring assists the OR staff when they are repositioning the back and leg sections.

Maximum foot room for unobstructed work

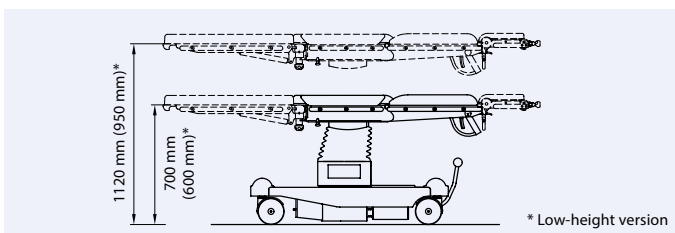
The base section provides a large amount of foot room. The surgeon and OR staff work directly alongside the patient in a comfortable position.



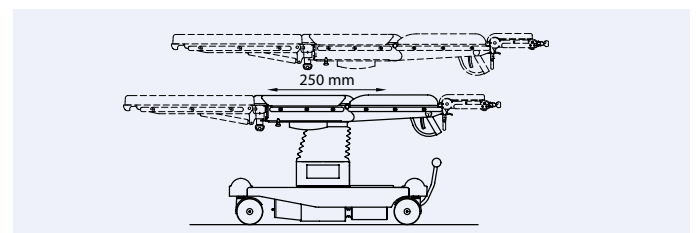
Dimensions



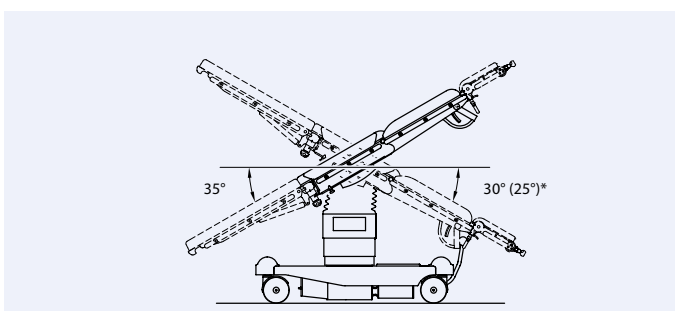
Tilt



Height adjustment

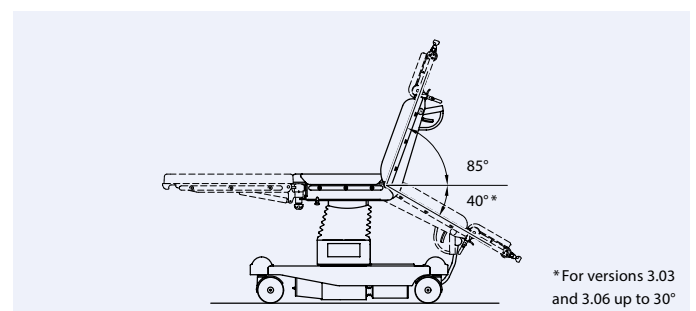


Longitudinal slide



Trendelenburg/Reverse Trendelenburg

* Low-height version



Back section up/down

* For versions 3.03 and 3.06 up to 30°



Viscoelastic pads for increased patient comfort

The SATURN™ Select OR Table can be fitted with FoamLine pads. These visco-elastic pads have very good pressure-reducing properties and help ensure that the patient is placed in a safe, protected position.



Carbon fiber components for optimal X-ray flexibility

The longitudinal adjustment of 250 mm (9.8") in combination with the carbon fiber segment and carbon fiber head plate ensures a large scanning area and, therefore, supports 3D display during heart, vascular, and neuro surgery.

Technical data	
Column drive	Electro-mechanical motor
Height adjustment (without pads)	
Versions 3.01–3.03	700 – 1,120 mm (27.6" – 44")
Versions 3.04–3.06	600 – 950 mm (23.6" – 37.4")
Longitudinal slide (manual)	250 mm (9.8")
Versions 3.02, 3.03, 3.05, 3.06 only	
Trendelenburg/Reverse Trendelenburg	
Versions 3.01–3.03	30°/35°
Versions 3.04–3.06	25°/35°
Tilt	± 25°
Pneumatic spring-assisted leg section up/down	+ 20°/–90°
Standard leg section up/down ¹⁾	± 90°
Back section up/down	+ 85°/– 40° ²⁾
Maximum patient weight	225 kg (500 lbs)
Body/kidney elevator Height	120 mm (4.7")
Flex angle	58°

¹⁾ Coupling point adapter required

²⁾ For versions 3.03 and 3.06 up to –30°

Subject to change. The information in our offer and order confirmation is binding.

Versions	
SATURN™ Select 3.01	SATURN standard height, basic version
SATURN™ Select 3.02	SATURN standard height with longitudinal slide
SATURN™ Select 3.03	SATURN standard height with longitudinal slide and body elevator
SATURN™ Select 3.04	SATURN low-height version, basic version
SATURN™ Select 3.05	SATURN low-height version with longitudinal adjustment
SATURN™ Select 3.06	SATURN low-height version with longitudinal adjustment and body elevator

All versions are available with Comfort Plus pads or FoamLine pads and 230 V or 115 V operating voltage.

The Trumpf Medical™ modular principle

Flexible, interchangeable components, and a wide range of Trumpf Medical positioning accessories allows the SATURN™ Select OR Table to be configured individually for separate disciplines and also combined with other Trumpf Medical OR tables.

Cardiac and vascular surgery



Carbon Fiber segment for 360° radiolucency in cardiac and vascular surgery



Combination of carbon fiber segment and adjustable carbon fiber head plate supports intraoperative imaging during carotid artery stenosis surgery

Neurosurgery



During neurosurgery, the removable head section functions as an elbow support for the surgeon



Various mounting options for the skull clamp offer flexibility in patient positioning, including in the park-bench position

General surgery



Large range of adjustment for use in laparoscopic surgery, with vacuum mattress for increased safety when positioning patients



Integrated body/kidney elevator for quick, ergonomic positioning without modifying the table



Flexible setting options for the headrest enable the surgeon to sit in a relaxed position

Orthopedics and traumatology



Leg section can be swung inwards to allow free movement of the knee during arthroscopy, even in the lowest table position



In the beach chair position, modular shoulder section arrangement provides excellent access for all indications



Adjustable perineal bow provides a high level of comfort for thigh extension in lateral position



Low table height enables convenient placement of tibia nails; calcanus extension creates ideal conditions for distal locking screw

Gynecology and Urology



Seat section extension increases the x-ray area to include cranial



Pneumatic spring-assisted and comfortable leg adjustment for TUR position with removable drainage bowl



Ergonomically designed table-top segments for anatomically correct renal positioning

Hill-Rom is a leading global medical technology company with more than 10,000 employees in over 100 countries. We partner with health care providers by focusing on patient care solutions that improve clinical and economic outcomes in five core areas: **Advancing Mobility, Wound Care and Prevention, Clinical Workflow, Surgical Safety and Efficiency, and Respiratory Health.** Hill-Rom people, programs, and product brands work towards one mission: **Every day, around the world, we enhance outcomes for our patients and their caregivers.**

Trumpf Medical, part of Hill-Rom, is distinguished by high-quality German engineering standards and offers innovative products to improve efficiency and safety in the OR, ICU, and in other clinical environments throughout the care sector. With our customers' requirements as our benchmark and innovation as the foundation of our success, Trumpf Medical delivers total solutions to fit your clinical care needs.

This document is destined solely for use by healthcare professionals. Medical devices shown in this brochure are intended for use with patients in departments of healthcare establishments.

These products are regulated health care products which, where required by applicable regulations, bear a CE mark. Hill-Rom recommends you carefully read the detailed instructions for safe and proper use included in the documentation accompanying the medical devices. The personnel of healthcare establishments are responsible for the proper use and maintenance of these medical devices.

Hill-Rom reserves the right to make changes without notice in design, specifications and models. The only warranty Hill-Rom makes is the express written warranty extended on the sale or rental of its products.

©2016 Hill-Rom Services, Inc. ALL RIGHTS RESERVED.
Doc. No: 2027359, 16 November 2016

Not all products/options are available in all countries.
For further information about our products or services, please contact your local Trumpf Medical representative or visit our webpage:

www.trumpfmedical.com

Enhancing outcomes for
patients and their caregivers:

Hill-Rom